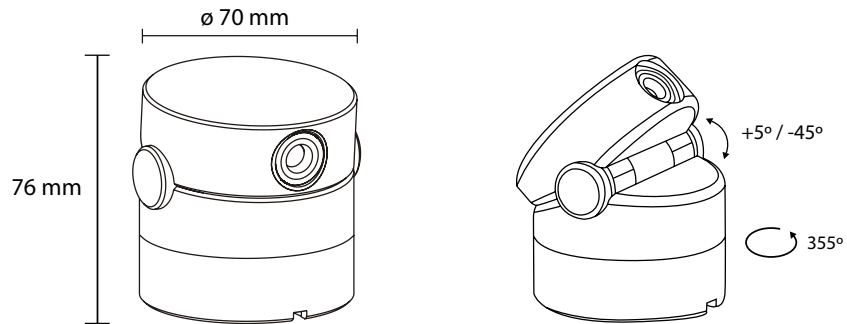


## MEASUREMENTS



## TECHNICAL SPECIFICATIONS

LED:	1 x Luxeon® K2 and 1 x LED indication light
Colour:	Extra warmwhite and blue
Beam angle:	45°
Voltage:	100 ~ 240 VAC
Power consumption:	10 VA
Weight:	0,4 Kg
Shipping Weight:	0,5 Kg
Shipping Dimensions:	95 x 125 x 105 mm (hwxwd)
Cable length:	2 meter
Swivel angle:	+ 5° / -45°, rotate 355°
Housing:	Aluminum
Ambient Temperature:	max. 40° C

2007 CLS-LED BV. All rights reserved. Information subject to change without notice, CLS-LED BV and all affiliated companies disclaim liability for injury, damage direct or indirect loss, consequential or economic loss or any other loss occasioned by the use of, inability to use or reliance on the information contained in this manual. No part of this manual may be reproduced, in any form or by any means, without permission in writing from CLS-LED BV. Other legal information can be found in our General conditions to be found on the backside of your CLS-LED BV invoice or on our website [www.cls-led.com/Conditions](http://www.cls-led.com/Conditions)



CLS Tanya

## INTRODUCTION

Thank you for choosing the CLS Tanya. The CLS Tanya is a compact yet powerful wall spot for numerous applications. Easy use by a switch button on both sides, one for the Luxeon K2 LED and the other for the blue LED indication light.

### Available wall spots:

- CLS Tanya, black (item nr. 123000)
- CLS Tanya, silver (item nr. 123002)



### Included Items

The CLS Tanya is shipped in one package containing the following items:

- 1 user manual
- 1 mounting set

**NOTE: It is important to read this manual before you install this product.**

## SAFETY INFORMATION

**Warning! This product is for professional use only, not for domestic use.**

Read this manual before powering up or installing the CLS Tanya. Follow the instructions as listed below and observe all warnings in this manual.

### Protection from electric shock

- Disconnect the power supply from AC power before installation, dismantling or maintenance of the unit.
- Make sure all connectors are connected properly.
- Use only a source of AC power that complies with local building and electrical codes and has both overload and ground fault protection.
- Refer all service to a qualified technician.

### Protection from burns and fire

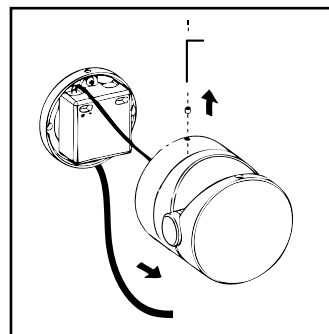
- Do not install the CLS Tanya near a heat source.
- Do not install the CLS Tanya in a corrosive, flammable or explosive area.
- Do not modify the CLS Tanya, or install other besides genuine parts.
- Do not operate the CLS Tanya if the ambient temperature exceeds 40° C.

### Protection from injury due to falls

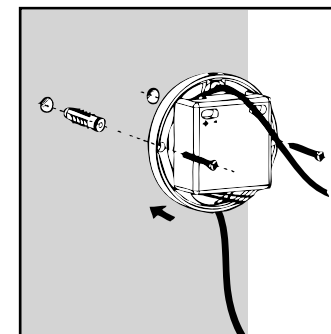
- Verify that all covers and mounting hardware is securely fastened.
- Block the access below the work area whenever installing or removing the unit.

## INSTALLATION

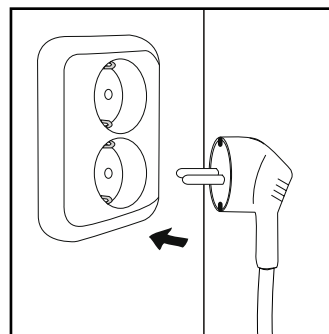
This section shows how to install the CLS Tanya.



Disassemble the ring with the attached LED driver by loosening the screw.



To install the fixture, drill two screw holes and secure the ring on the wall. Assemble the fixture back on the ring.



Put the power wire in the earthed socket and the product is ready to use.

