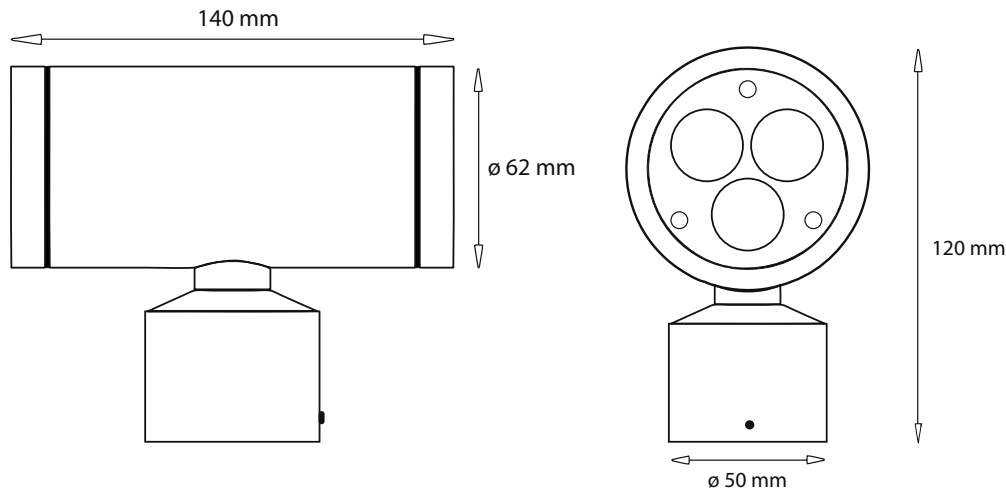


MEASUREMENTS



TECHNICAL SPECIFICATIONS

LED:	6 x Luxeon® K2
Colour:	extra warm white, 3150K (WW3)
Lens:	25° lens
Power supply:	24 AC / DC
LEDcurrent:	350 mA
Power consumption:	max. 10 Watt
IP value:	IP44
Housing:	Aluminum
Weight:	500 gr
Ambient temperature:	-10 °C till +40 °C

2007 CLS-LED BV. All rights reserved. Information subject to change without notice, CLS-LED BV and all affiliated companies disclaim liability for injury, damage direct or indirect loss, consequential or economic loss or any other loss occasioned by the use of, inability to use or reliance on the information contained in this manual. No part of this manual may be reproduced, in any form or by any means, without permission in writing from CLS-LED BV. Other legal information can be found in our General conditions to be found on the back of your CLS-LED BV invoice or on our website www.cls-led.com/Conditions.pdf



CLS Simone
Toscane series

INTRODUCTION

Thank you for choosing the CLS Simone. The CLS Simone is part of the Toscane series. This powerful spot is suitable for numerous applications. The CLS Simone can be used for lighting up all sorts of façades and objects.

Included items

The CLS Simone is shipped in one package containing the following items:

- 1 mounting set
- 1 allen key
- 1 user manual

Optional accessories

- BT 20/24V powersupply (item nr. 706995)
- BT 45/24V powersupply (item nr. 707011)
- BT 75/24V powersupply (item nr. 707012)
- BT 120/24V powersupply (item nr. 707013)
- BT 240/24V powersupply (item nr. 707014)
- CLS MT20 driver (item nr. 872005)

NOTE: It is important to read this manual before you install this product.

SAFETY INFORMATION

Warning! This product is for professional use only, not for domestic use.

Read this manual before powering up or installing the CLS Simone. Follow the instructions listed below and observe all warnings in this manual.

Protection from electric shock

- Disconnect the power supply from AC power before installing, dismantling or maintaining the unit.
- Make sure all connectors are connected properly.
- Use only a source of AC power that complies with local building and electrical codes and has both overload and ground-fault protection.
- Refer all service to a qualified technician.

Protection from burns and fire

- Do not install the CLS Simone near a heat source.
- Do not install the CLS Simone in a corrosive, flammable or explosive area.
- Do not modify the CLS Simone, or install other than genuine parts.
- Do not operate the CLS Simone if the ambient temperature exceeds 40° C.

Protection from injury due to falls

- Verify that all covers and mounting hardware are securely fastened.
- Block the access below the work area whenever installing or removing the unit.

INSTALLATION

This section shows how to install the CLS Simone.

