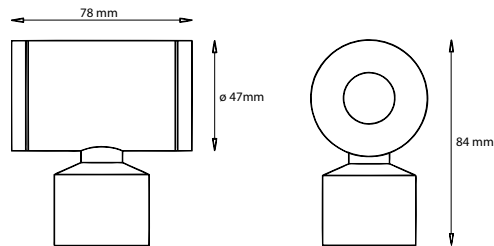
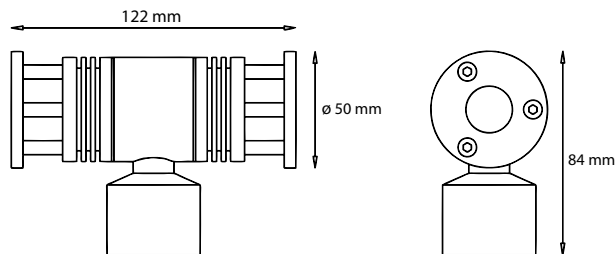


CLS Julia



CLS Elise



**TECHNICAL SPECIFICATIONS**

Toscane series:	Sophie	Julia	Elise
LED:	2 x Luxeon® K2	2 x Luxeon® K2	2 x Luxeon® K2
Lenses:	10° lenses	10° lenses	10° lenses
Power supply:	12 AC / DC	12 AC / DC	12 AC / DC
Power consumption:	3 Watt	3 Watt	3 Watt
IP Rating:	IP44	IP44	IP44
Weight:	0,26 Kg	0,26 Kg	0,30 Kg
Shipping Weight:	0,28 Kg	0,28 Kg	0,33 Kg
Shipping Dimensions:	55 x 85 x 85 mm	55 x 85 x 85 mm	60 x 126 x 90 mm
Ambient Temperature:	max. 40° C		

2007 CLS-LED BV. All rights reserved. Information subject to change without notice, CLS-LED BV and all affiliated companies disclaim liability for injury, damage direct or indirect loss, consequential or economic loss or any other loss occasioned by the use of, inability to use or reliance on the information contained in this manual. No part of this manual may be reproduced, in any form or by any means, without permission in writing from CLS-LED BV. Other legal information can be found in our General conditions to be found on the backside of your CLS-LED BV invoice or on our website [www.cls-led.com/Conditions](http://www.cls-led.com/Conditions)



**CLS Toscane series**

## INTRODUCTION

Thank you for choosing the CLS Toscane series. The CLS Toscane series are compact but yet powerful spots for numerous applications. The spot can be used for lighting up all sorts of facades and objects. The CLS Toscane serie has 3 spots; the CLS Sophie, CLS Julia and CLS Elise.

### Available spots

- CLS Sophie (item nr. 100100)
- CLS Julia (item nr. 100150)
- CLS Elise (item nr. 100200)

### Included Items

- The CLS Toscane spot is shipped in one package containing the following Items:
- 1 User manual

**NOTE: It is important to read this manual before you install this product.**

## SAFETY INFORMATION

**Warning! This product is for professional use only, not for domestic use.**

Read this manual before powering up or installing the CLS Toscane series. Follow the instructions listed below and observe all warnings in this manual.

### Protection from electric shock

- Disconnect the power supply from AC power before installation, dismantling or maintenance of the unit.
- Make sure all connectors are connected properly.
- Use only a source of AC power that complies with local building and electrical codes and has both overload and ground fault protection.
- Refer all service to a qualified technician.

### Protection from burns and fire

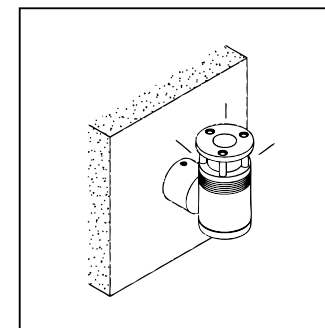
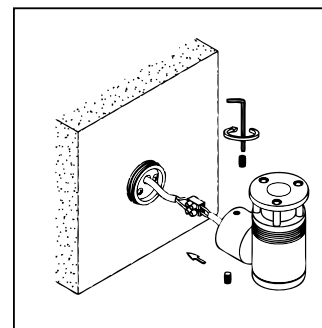
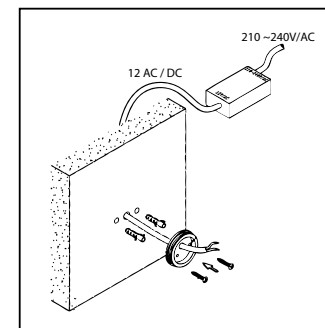
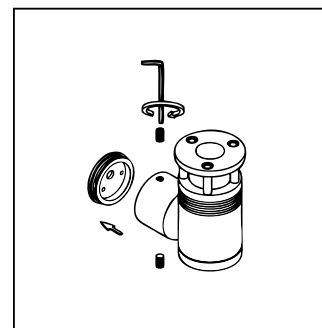
- Do not install the CLS Toscane series near to a heat source.
- Do not install the CLS Toscane series in a corrosive, flammable or explosive area.
- Do not modify the CLS Toscane series, or install other than genuine parts.
- Do not operate the CLS Toscane series if the ambient temperature exceeds 40° C.

### Protection from injury due to falls

- Verify that all covers and mounting hardware is securely fastened.
- Block access below the work area whenever installing or removing the unit.

## INSTALLATION

This section shows how to install the CLS Toscane series.



## MEASUREMENTS

CLS Sophie

