

**Setting a DMX-address on your CLS LDX 36-3**

As described in the previous point, simply use the up and down buttons to reach the required address and press the up and down buttons together to set the required address.

**Using pre-programmed sequences**

When you are not using DMX, this driver has a few pre-set sequences.

- Address 512: Colour change sequence ranging through all channels (colours).
- Address 511: 100% output on all channels (colours).
- Address 510: 100% output on channel 3 only.
- Address 509: 100% output on channel 2 only.
- Address 508: 100% output on channel 1 only.

**Frequency alternation function**

For 95% of all CLS LED-fixtures the LDX 36-3 will operate in flicker free mode. However due to frequency differences, it maybe necessary to alter the frequency on the driver to accommodate some LED-fixtures.

A special built-in feature has been designed to accommodate this. If you are seeing any low end flicker and/or minor noise from the driver, this can be eliminated by following these instructions:

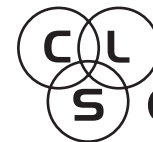
- Set the DMX-address on the LDX 36-3 to 512.
- Once this address has been set by pressing the up and down buttons together, keep the up button pressed, which shall take you into a new menu.
- As standard the frequency of the LDX 36-3 is set to level 9, as you shall see when you enter this menu.
- You can alter this frequency level to low (1) or high (30).
- As you change the level by using the up and down buttons, you shall be able to see/hear a difference. Once you have reach the level you require, simply press the up and down buttons together to select that frequency level.

**Technical Specifications**

Input voltage:	AC 90 - 240 Volts
Power consumption:	Max. 120 VA
Frequency:	50 - 60 Hz
Power factor:	0,93/230V and 0,98/115V
Efficiency:	93% typical
Power output:	33,6 W per Ch
Output current:	700 mA
Output voltage:	DC 48 Volts max.
Operating temperature:	-10° C - + 40° C
Case temperature:	65° C max
Dimensions (W x H x D):	330 x 92 x 54 mm
Cable:	Without Shuko connector.



© Information from this datasheet is not to be reproduced, republished or redistributed in any form without the express written consent of the copyright holder, Creative Lighting Solutions CLS™.



Creative Lighting Solutions



**CLS LDX 36-3**



April 2008 version 1.1

## INTRODUCTION:

Thank you for selecting the CLS LDX 36-3. The CLS LDX 36-3 is a universal DMX controlled LED dimmer that has 3 outputs of 700 mA each.

### Included Items

The CLS LDX 36-3 is shipped in one package containing the following items:

- 1 CLS LDX 36-3
- 1 Power cable without connector to AC-power
- 1 User manual



### Optional accessories

- |  |            |
|--|------------|
| • Shuko connector  | 946540     |
| • CLS Molex - XLR cable with termination-plug for Façade or Omit | 8714600    |
| • CLS Molex - Florence cable with termination-plugs for Florence | 87129910   |
| • CLS Termination plug   | 8714644    |
| • RJ45 - XLR 3 pole cable  | MA11840087 |
| • RJ45 - RJ11 cable  | 707060     |
| • CLS RGB Omit 3 x 3W  | 8714540    |
| • CLS RGB Façade 12 x 3W   | 871330     |
| • CLS XLR 7 pole cable 150 cm for Rgb Omit / RGB Façade          | 8714620    |
| • CLS XLR 7 pole cable 500 cm for Rgb Omit / RGB Façade          | 8714640    |
| • CLS Florence 3W CW   | 87129000   |
| • CLS Florence 3W Amber  | 87129005   |
| • CLS Florence 3W Red  | 87129017   |
| • CLS Florence 3W Royal Blue                                     | 87129019   |
| • CLS Florence 3W Light Blue                                     | 87129020   |
| • CLS Florence short circuit plug (10 pcs.)                      | 87129915   |
| • CLS Florence 5 m extension cable                               | 87129959   |
| • CLS DMX cable 0.8 meters                                       | 911200     |
| • CLS DMX cable 1.5 meters                                       | 911201     |
| • CLS DMX cable 3.0 meters                                       | 911203     |
| • CLS DMX cable 5.0 meters                                       | 911205     |
| • CLS DMX cable 10.0 meters                                      | 911206     |
| • CLS DMX cable 15.0 meters                                      | 911207     |
| • CLS DMX cable 20.0 meters                                      | 911209     |

**Note: It is important to read this manual before you install this product.**

## SAFETY INFORMATION

**Warning! This product is for professional use only. It is not for domestic use.**

Read this manual before powering up or installing the CLS LDX 36-3, follow the safety precautions listed below and observe all warnings in this manual.

### Protection from electric shock

- Disconnect the power supply from AC power before installation, dismantling or maintenance of the unit.
  - Make sure all connectors are connected properly.
  - Use only a source of AC power that complies with local building and electrical codes and has both overload and ground fault protection.
  - Only use dedicated fixtures on the units output.
  - Do not overload or short circuit the outputs.
  - Do not expose the power supplies to rain or moisture.
- Refer all service to a qualified technician.

### Protection from burns and fire

- Provide a clearance of at least 50mm around the unit.
- Do not install the CLS LDX 36-3 near to a heat source.
- Do not install this CLS LDX 36-3 in a corrosive, flammable or explosive area.
- Do not modify the CLS LDX 36-3, or install other than genuine parts.
- Do not operate the CLS LDX 36-3 if the ambient temperature exceeds 40°C.
- Operate in a well ventilated area.

### Protection from injury due to falls

- Verify that all covers and mounting hardware is securely fastened.
- Block access below the work area whenever installing or removing the power supply.

## INSTALLATION

### Attention

Always wear an antistatic wristband when installing a LED-fixture.

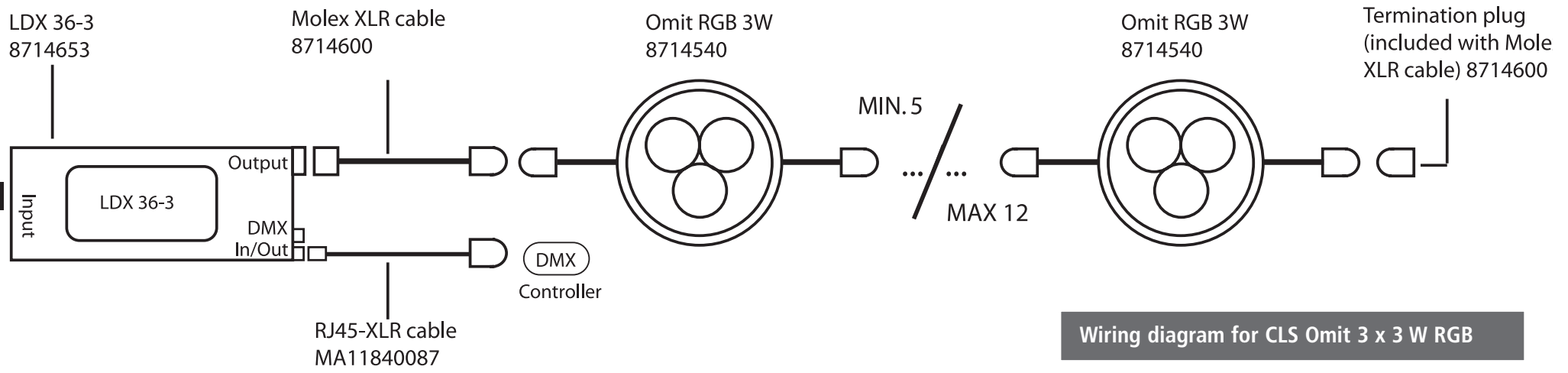
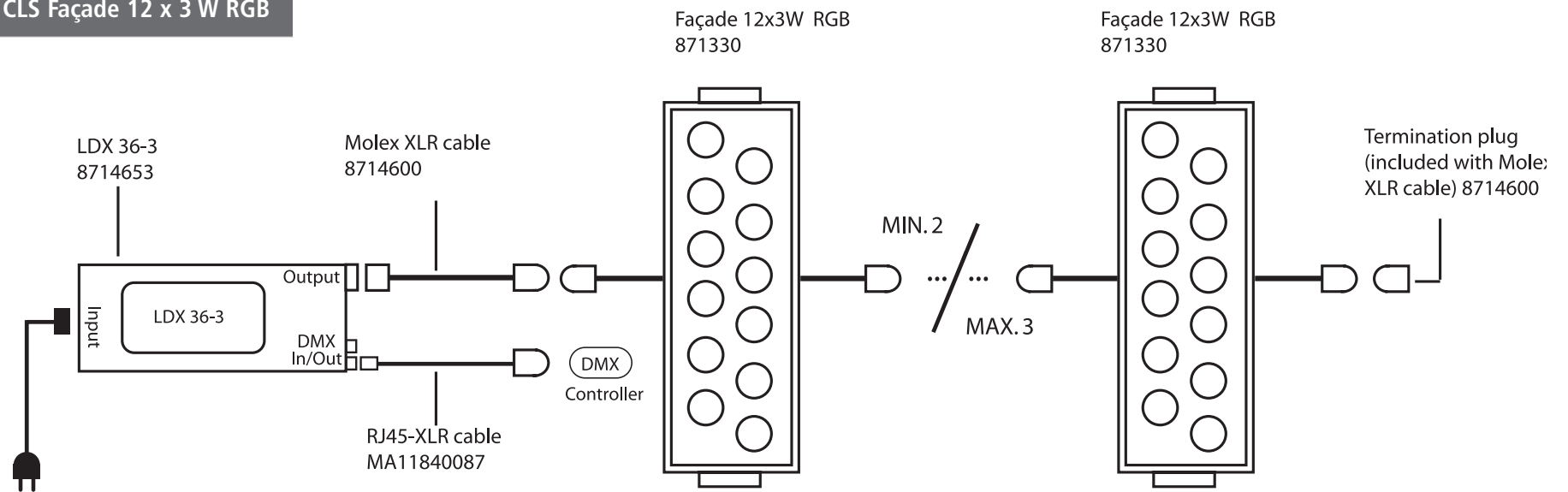
**Connect at least 5 and a maximum of 12 Luxeon III LED'S at each channel.**  
**Connect at least 5 and a maximum of 12 CLS RGB Omit 3W at a CLS LDX 36-3.**  
**Connect at least 2 and a maximum of 3 CLS RGB Façade at a CLS LDX 36-3.**  
**Connect at least 5 and a maximum of 12 CLS RGB Florence at each channel.**

1. Connect the Luxeon III LED-fixture to the CLS LDX 36-3 using a CLS Molex connection cable. CLS Molex cable for Façade or Omit (art. nr. 8714600) or a CLS Molex cable for Florence (art. nr. 87129910).
2. Ensure that the circuit is closed with (a) termination plug(s), with the CLS termination plug.
3. Ensure that all CLS fixtures are connected correctly, before connecting the power cable.
4. Connect a DMX-controller using a RJ45 connector on the CLS LDX 36-3.

### Testing the unit with your CLS LED-fixture.

1. The unit shall power up as default address 1. To test the unit press the up button until the display presents you DMX address 512.
2. Once you have reached this address press both buttons (up and down) together to select that address. The CLS LDX 36-3 will start a pre-programmed test sequence fading through all channels.

Wiring diagram for CLS Façade 12 x 3 W RGB



Wiring diagram for CLS Omit 3 x 3 W RGB

Wiring diagram for CLS Florence

! For the Florence units; Connect at least 5 and a maximum of 12 Florence modules at each channel

