



Florence



Florence LED-module

LEDs: Luxeon III / K2  
 Available colours: Luxeon III: Cold white, amber, green, royal blue, red  
 Luxeon K2: Warm white 3050K, warm white 3150K  
 Available lenses: 40°, 16° optional  
 Power supply: Max. 700 mA  
 Power consumption: Max. 3 Watt  
 Housing: Aluminum brushed  
 Cable length: 1 meter  
 IP value: IP40  
 Measurements: Ø 44 mm, 25 mm(H)  
 Weight: 45 gr

Optional accessories



Item #: 87129060



Item #: 87129070



Item #: 87129080



Item #: 87129090



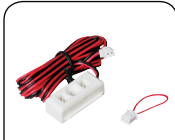
Item #: 87129095



Item #: 87129099



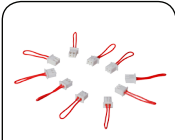
Item #: 87129150



Item #: 87129900



Item #: 87129905



Item #: 87129915



Item #: 87129959



Item #: 87129990



Item #: 87129948



Item #: 872018



Item #: 8714660



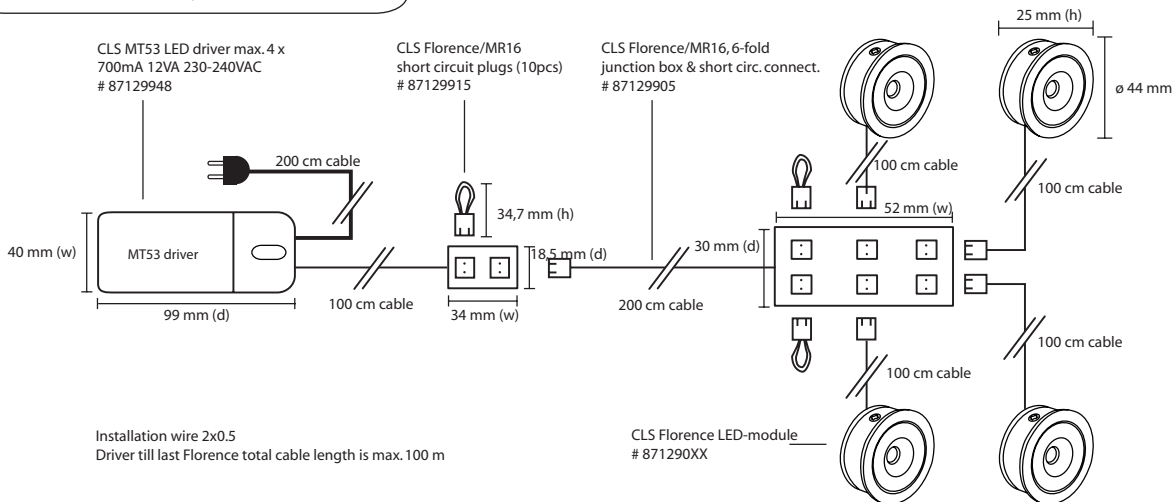
Item #: 87129911



Item #: 872019

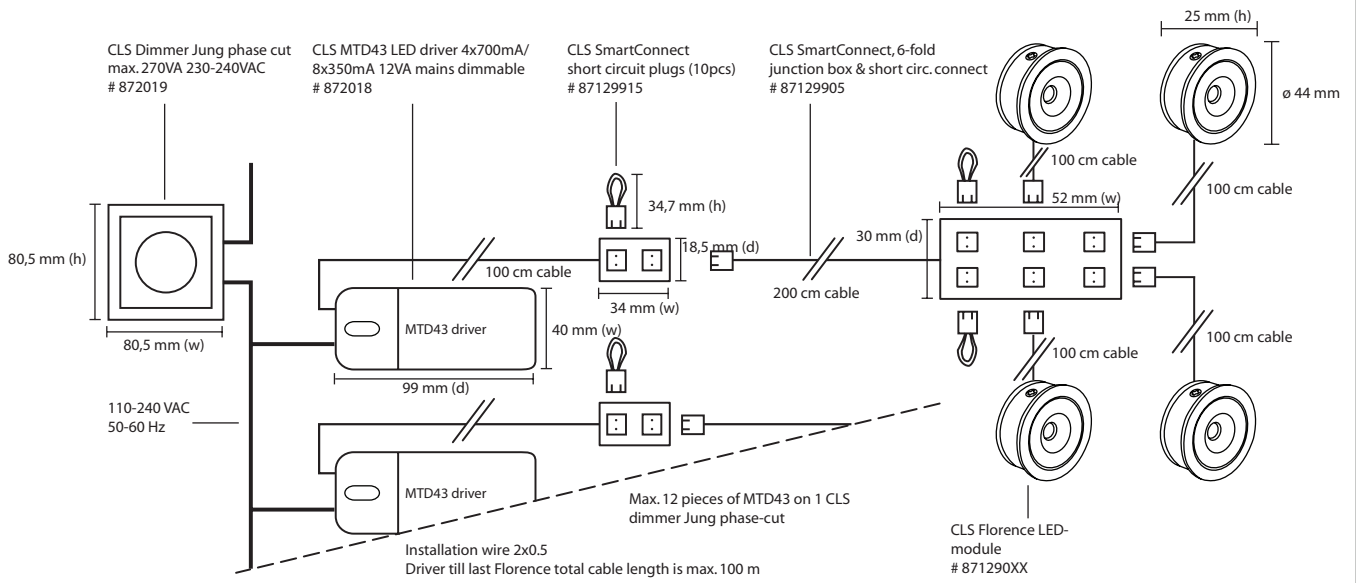
- 87129060 CLS Florence round ceiling unit alu-brushed 1 hole, cutout size Ø 51 mm, size Ø 60 x 20 mm (Øxh)
- 87129070 CLS Florence square ceiling unit alu-brushed 1 hole, cutout size Ø 51 mm, size 20 x 60 x 60 mm (hxwxd)
- 87129080 CLS Florence rectangular ceiling unit alu-brushed 2 holes, cutout size 101 x 51 mm (wxd), size 20 x 112 x 60 mm (hxwxd)
- 87129090 CLS Florence rectangular ceiling unit alu-brushed 3 holes, cutout size 155 x 51 mm (wxd), size 20 x 164 x 60 mm (hxwxd)
- 87129095 CLS Florence rectangular ceiling unit alu-brushed 4 holes, cutout size 205 x 51 mm (wxd), size 20 x 217 x 60 mm (hxwxd)
- 87129099 CLS Florence rectangular ceiling unit alu-brushed 5 holes, cutout size 257 x 51 mm (wxd), size 20 x 267 x 60 mm (hxwxd)
- 87129150 CLS Florence square ceiling unit alu-brushed 4 holes, cutout size 100 x 102 (wxd), size 20 x 110 x 110 mm (hxwxd)
- 87129900 CLS SmartConnect, 2-fold junction box & short circ. connect, size 12 x 34 x 18,5 mm (hxwxd), 200cm cable
- 87129905 CLS SmartConnect, 6-fold junction box & short circ. connect, size 12 x 52 x 30 mm (hxwxd), 200cm cable
- 87129915 CLS SmartConnect short circuit plugs (10pcs), size 34,7 x 7,4 x 5,6 mm (hxwxd)
- 87129959 CLS SmartConnect extension cable between 2 junction boxes 5 m
- 87129990 CLS Florence/MR16, 16° lens spot including crew top
- 87129948 CLS MT53 LED driver max. 4 x 700mA 12VA 230-240VAC, size 23 x 40 x 99 mm (hxwxd)
- 872018 CLS MTD43 LED driver 4x700mA/8x350mA 12VA mains dimmable, size 23 x 40 x 99 mm (hxwxd)
- 8714660 CLS DMX-1000 LED driver/dimmer 350-1000mA DMX controllable, size 70 x 205 x 155 mm (hxwxd)
- 87129911 CLS DMX-1000 SmartConnect connection set 3x2-fold, 1 mtr
- 872019 CLS Dimmer Jung phase cut max. 270VA 230-240VAC, size 80,5 x 80,5 x 53,5 mm (hxwxd)

MT53 driver 700mA, not dimmable





MTD43 driver 700mA, dimmable



DMX-1000, 700mA, dimmable, with DMX controller

