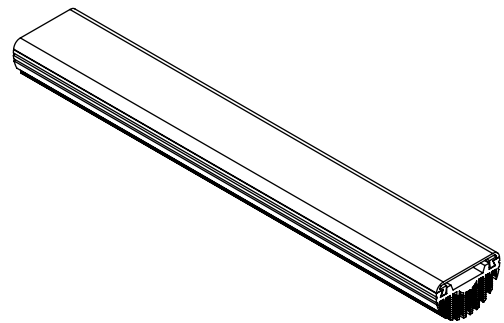


Solid-State Lighting Series

Linear Lighting Module Datasheet

Specifically designed for indoor lighting engine, Linear Lighting Module offers an integral solution for thermal, optical and mechanical aspects of LED. The optical cover is optimized to present an anti-dazzling, anti-glare uniform light to minimize discomfort to the user. An efficient thermal management was made using top grade aluminum alloy to maintain and extend the lifetime of EdiLine.



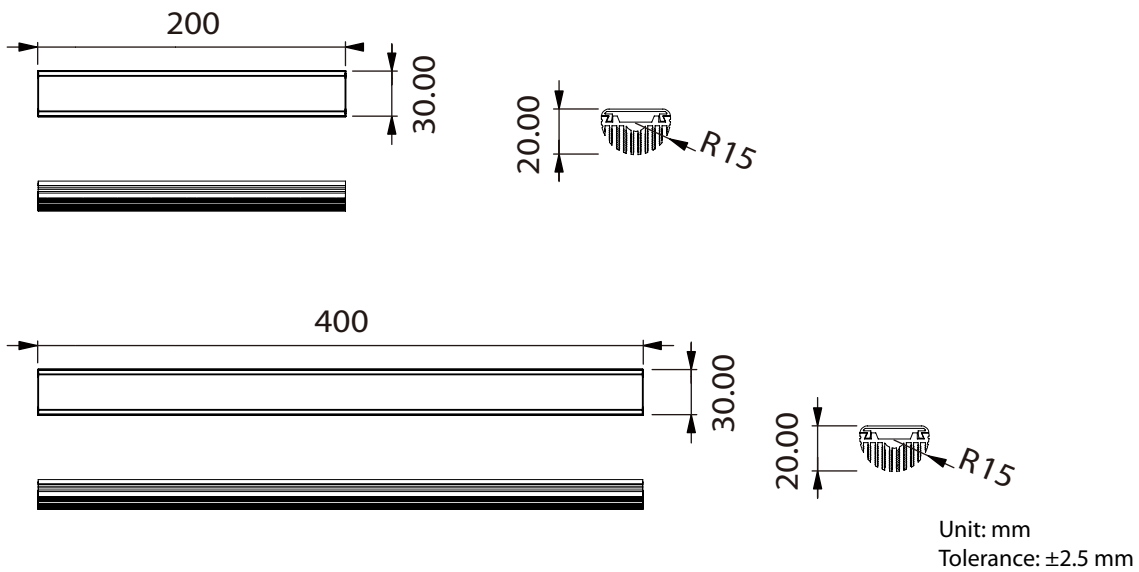
Features :

- Choices of Colors: Cool White/Neutral White/Warm White
 - Integral high brightness LED with thermal management
 - Varying length available upon request
 - Tracking mechanism available for quick assembly
 - Multiple units connection for easy expansion
-

Table of Contents

- Dimensions..... 2
- Absolute Maximum Ratings / Specifications..... 2
- Light Patterns..... 3
- Illuminance and Beam Angles..... 3
- Assembly Instructions and Recommended Driver Specification..... 4
- Application Notes..... 4

Dimensions



Absolute Maximum Ratings

Parameter	Rating	Units
LED Junction Temperature	125	°C
Operating Temperature	-30 ~ +40	°C
Storage Temperature	-40 ~ +60	°C
DC Input Voltage	12	V
Constant Current(7W)	800	mA
Constant Current(14W)	1500	mA
Equilibrium(7W/14W)	55	°C

Table 1: Linear Lighting Module absolute maximum ratings

Specifications

Parameter	
Power Consumption	7 / 14 Watt
Field Angle	140°/120°
Color Temperature	3000 / 4000 / 6000K
CRI	> 75
Weight(7W)	< 140 g
Weight(14W)	< 280 g

Table 2: Linear Lighting Module specifications

Light Patterns

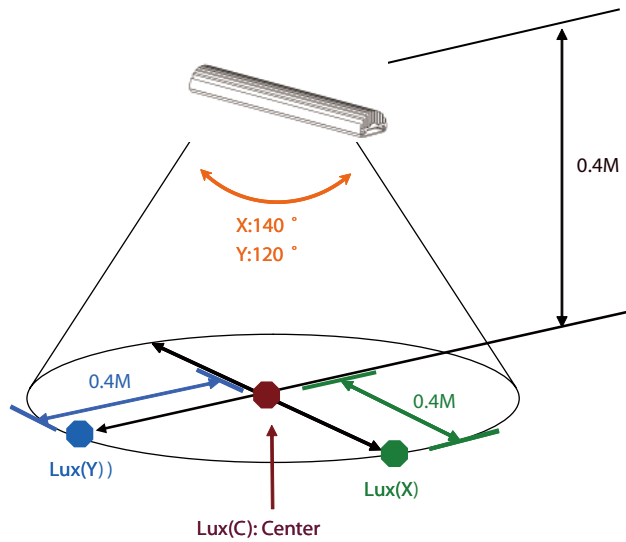


Figure 2: Linear Lighting Module light patterns of different colors

Illuminance

• Cool White

Power Consumption	Part Number	CCT(Typ.)	Lux(C)	Lux(X)	Lux(Y)
7W	ELMLW-04-A0331	6000K	750	280	250
14W	ELMLW-08-A0441		1500	560	500

• Neutral White

Power Consumption	Part Number	CCT(Typ.)	Lux(C)	Lux(X)	Lux(Y)
7W	ELMLH-04-A0331	4000K	600	205	185
14W	ELMLH-08-A0441		1200	410	370

• Warm White

Power Consumption	Part Number	CCT(Typ.)	Lux(C)	Lux(X)	Lux(Y)
7W	ELMLX-04-A0331	3000K	530	160	150
14W	ELMLX-08-A0441		1060	320	300

Table 3: Linear Lighting Module illuminance.

Assembly Instructions and Recommended Driver Specification

Input Voltage	Output Voltage	Operating Current (Constant)	Rated Power
AC 100~240V	DC 12V	800mA	7W
AC 100~240V	DC 12V	1500mA	14W

Table 4: Specification of recommended driver

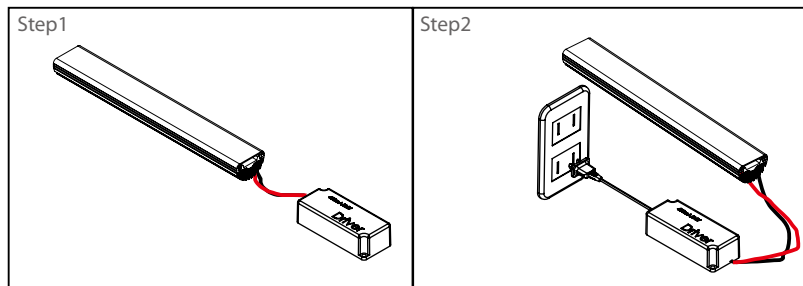


Figure 3: Assembly Instructions

• Assembly Instructions :

1. Connect the Linear Lighting Module to the DC driver shown as step 1.

2. Plug the driver to AC outlet shown as step 2.

Caution: Never plug the driver to AC outlet before the linear lighting module is properly connected as this may damage the LEDs permanently.

Application Notes

The design of the Linear Lighting Module make it ideal for indoor lighting applications, including cabinet, shelves, and desk lighting.



Various length and color temperaturte options are suitable for an array of scenarios.

